

OM1085QL30K/40K

10" QL Lamp Open Reflector Vertical Downlights

CAT. NO:

TYPE:

PROJECT:



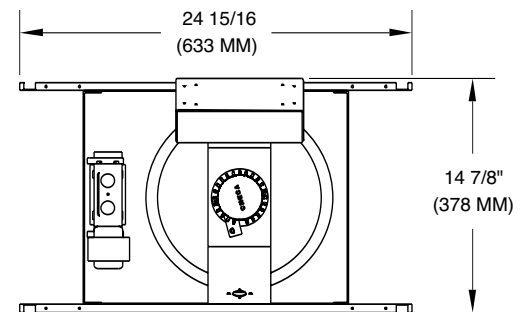
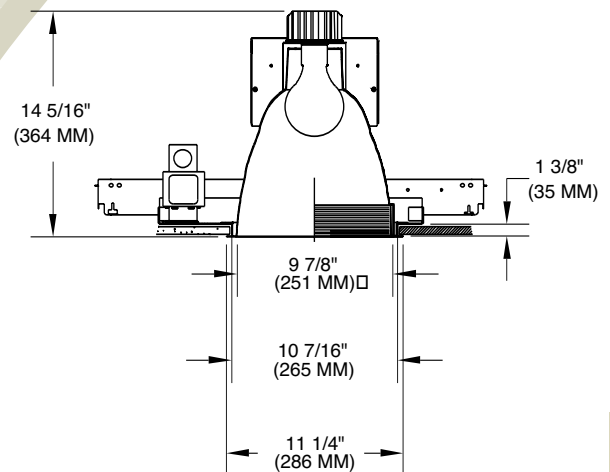
PRODUCT INFORMATION

Applications

Ultra long **100,000 hour** life, every efficient lighting system with 80+ CRI. Low brightness reflector designed for use in as general area lighting with broad, uniform distribution in hard to reach or extended use areas such as lobbies, schools, transportation areas, banks, malls and offices.

Specifications

- Mounting pan** - Precision die-formed 16 gauge bonderized steel mounting pan, yoke assembly and ballast tray.
- Installation** - Mounting pan has pre-installed C-channel with vertical and horizontal adjustments. Ballast, junction box and mounting brackets are accessible from below ceiling. For 27" flat bar hanger pair, specify Q1031 accessory, ordered separately.
- Reflectors** - Precision spun .051 aluminum, self flanged with clear specular Alzak finish. Reflector is screw mounted for positive attachment to socket assembly. Standard flat flange is painted white. Optional polished flange matching reflector finish available, add FF to catalog number.
- Socket enclosure** - Die cast aluminum heat sink, lamp at optical focal plane of reflector for maximum performance.
- Junction box** - Extra large 43.75-cubic inch 16 gauge galvanized steel with snap-on covers. Approved for through wiring with up to 8 #12 AWG conductors.
- Thermal protection** - A thermal protection device which meets all U.L. and NEC requirements is standard.



10



* Canadian Specifications may vary from these shown, consult Canadian Division.

CATALOG SYSTEM AND OPTIONS

EXAMPLE OF COMPLETE CATALOG NUMBER: **OM1085QL30K-CS-120**

OMEGA Apr.	Lamp**	Lamp Type	Lamp (by others)	Reflector Option	Reflector Finish*	Frame Options	Supply Voltage
OM10	55 85	QL Induction	30K 40K	BB Black Baffle	CS Clear Specular CSS Clear Semi-Specular HZ Haze GS Champagne Gold Specular WT Wheat PW Pewter FF Finish Flange (As suffix to color)	FZ120 Fusing FZ277 Fusing FB Flat Bar Hangers	120 277



FIVE YEAR
Warranty

*Consult factory for other reflector finishes.

** Lamp supplied with fixture.

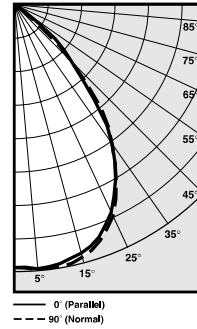
OM1085QL30K-CS Photometric Data

Clear Specular Reflector

Report Number: 22091
 Lamp: QL85W
 Total Lumens: 6000
 Fixture Efficiency: = 74.5%
 IES File: F22091.IES
 S/MH Ratio = 1.2
 Beam Angle: 79.63

LIGHTING PERFORMANCE DATA		
CEILING HEIGHT* (FT.)	INITIAL FOOTCANDLES	BEAM DIAMETER (FT.-IN.)
8	99.8	9-2
10	53.7	12-6
12	33.5	15-10
14	22.8	19-2
16	16.6	22-6

DISTRIBUTION CURVE



DEGREES	CANDELA		FOOT-LAMBERTS
	AT 0°	AT 90°	
90	0	0	
85	0	0	0
75	0	0	0
65	3	3	41
55	189	94	1421
45	934	949	7669
35	1960	1955	
25	2634	2681	
15	2958	3004	
5	3045	3057	
0	3019	3019	

COEFFICIENTS OF UTILIZATION ZONAL CAVITY METHOD

Effective Floor Cavity Reflectance 0.20

RC	80			70			50		
	50	30	50	30	50	30	50	30	50
RW	50	30	50	30	50	30	50	30	50
0	89	89	87	87	83	83			
1	82	80	80	78	77	76			
2	75	72	74	71	71	69			
3	69	65	68	64	66	63			
4	63	59	63	58	61	57			
5	58	53	58	53	56	52			
6	54	49	53	49	52	48			
7	50	45	49	45	48	44			
8	46	41	46	41	45	41			
9	43	38	43	38	42	38			
10	40	35	40	35	39	35			

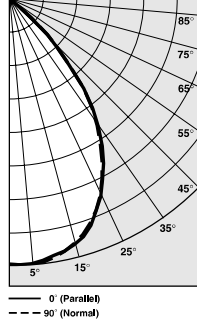
OM1085QL30KBB-CS Photometric Data

Black Baffle Reflector

Report Number: 22092
 Lamp: QL85W
 Total Lumens: 6000
 Fixture Efficiency: = 62.5%
 IES File: F22092.IES
 S/MH Ratio = 1.1
 Beam Angle: 76.27

LIGHTING PERFORMANCE DATA		
CEILING HEIGHT* (FT.)	INITIAL FOOTCANDLES	BEAM DIAMETER (FT.-IN.)
8	92.5	8-8
10	49.7	11-9
12	31.0	14-11
14	21.1	18-1
16	15.3	21-2

DISTRIBUTION CURVE



DEGREES	CANDELA		FOOT-LAMBERTS
	AT 0°	AT 90°	
90	0	0	
85	0	0	0
75	3	2	191
65	5	5	233
55	77	75	2615
45	720	735	20304
35	1652	1630	
25	2300	2287	
15	2682	2670	
5	2802	2823	
0	2797	2797	

COEFFICIENTS OF UTILIZATION ZONAL CAVITY METHOD

Effective Floor Cavity Reflectance 0.20

RC	80			70			50		
	50	30	50	30	50	30	50	30	50
RW	50	30	50	30	50	30	50	30	50
0	74	74	73	73	69	69			
1	69	67	67	66	65	64			
2	63	60	62	60	60	58			
3	58	55	57	54	56	53			
4	54	50	53	49	52	49			
5	50	46	49	45	48	45			
6	46	42	45	42	45	41			
7	43	39	42	38	41	38			
8	40	36	39	35	39	35			
9	37	33	37	33	36	33			
10	35	31	34	31	34	30			

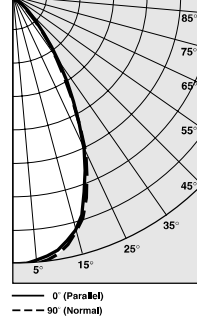
OM1055QL30K-CS Photometric Data

Clear Specular Reflector

Report Number: 22089
 Lamp: QL55W
 Total Lumens: 3500
 Fixture Efficiency: = 64.3%
 IES File: F22089.IES
 S/MH Ratio = 0.9
 Beam Angle: 57.33

LIGHTING PERFORMANCE DATA		
CEILING HEIGHT* (FT.)	INITIAL FOOTCANDLES	BEAM DIAMETER (FT.-IN.)
8	82.6	6-0
10	44.4	8-2
12	27.7	10-5
14	18.9	12-7
16	13.7	14-9

DISTRIBUTION CURVE



DEGREES	CANDELA		FOOT-LAMBERTS
	AT 0°	AT 90°	
90	0	0	
85	0	0	0
75	0	0	0
65	0	0	0
55	17	2	95
45	248	198	1817
35	755	707	
25	1573	1610	
15	2259	2273	
5	2472	2505	
0	2498	2498	

COEFFICIENTS OF UTILIZATION ZONAL CAVITY METHOD

Effective Floor Cavity Reflectance 0.20

RC	80			70			50		
	50	30	50	30	50	30	50	30	50
RW	50	30	50	30	50	30	50	30	50
0	76	76	75	75	71	71			
1	71	70	70	68	67	66			
2	66	64	65	63	63	61			
3	62	59	61	58	59	57			
4	58	54	57	54	56	53			
5	54	50	53	50	52	49			
6	51	47	50	46	49	46			
7	48	44	47	43	46	43			
8	45	41	44	41	44	40			
9	42	38	42	38	41	38			
10	40	36	40	36	39	36			

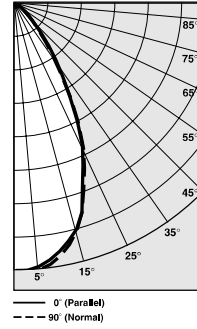
OM1055QL30KBB-CS Photometric Data

Black Baffle Reflector

Report Number: 22090
 Lamp: QL55W
 Total Lumens: 3500
 Fixture Efficiency: = 53.9%
 IES File: F22090.IES
 S/MH Ratio = 0.9
 Beam Angle: 55.16

LIGHTING PERFORMANCE DATA		
CEILING HEIGHT* (FT.)	INITIAL FOOTCANDLES	BEAM DIAMETER (FT.-IN.)
8	75.6	5-9
10	40.7	7-10
12	25.4	9-11
14	17.3	12-0
16	12.6	14-1

DISTRIBUTION CURVE



DEGREES	CANDELA		FOOT-LAMBERTS
	AT 0°	AT 90°	
90	0	0	
85	0	0	0
75	2	1	33
65	3	3	41
55	6	4	50
45	169	138	1250
35	595	548	
25	1348	1369	
15	2003	2014	
5	2263	2292	
0	2288	2288	

COEFFICIENTS OF UTILIZATION ZONAL CAVITY METHOD

Effective Floor Cavity Reflectance 0.20

RC	80			70			50		
	50	30	50	30	50	30	50	30	50
RW	50	30	50	30	50	30	50	30	50
0	64	64	63	63	60	60			
1	60	58	59	57	56	55			
2	56	54	55	53	53	51			
3	52	49	51	49	50	48			
4	49	46	48	45	47	45			
5	46	43	45	42	44	42			
6	43	40	42	39	42	39			
7	40	37	40	37	39	37			
8	38	35	38	35	37	34			
9	36	33	36	33	35	33			
10	34	31	34	31	33	31			

*Readings at working plane, 2'6" above floor. Beam Angle and Diameter Cutoff at 50% of max. Candlepower Coefficients used at effective reflectances of: 70% Ceiling, 50% Walls, 20% Floor

To convert values for optional reflector colors, multiply by:
 Gold .90 Bronze .82 Pewter .87

Additional photometric test files are available @ omegalighting.com



OMEGA LIGHTING:
 776 South Green St., Tupelo, MS 38804
 Phone 662.842.7212 FAX 662.841.5501

CANADIAN DIVISION:
 189 Bullock Drive, Markham, Ontario, Canada L3P 1W4
 Phone 905.294.9570 FAX 800.268.0003